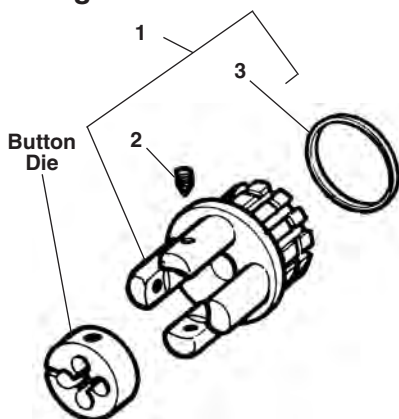


00-RB Die Head Assembly

Capacity: 1/4" through 1"



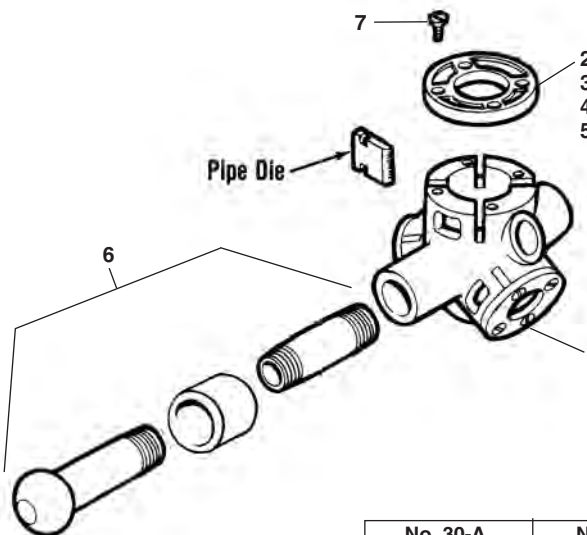
NOTE: Order parts by Catalog Number only.
DO NOT order by Reference Number.

Ref. No.	Catalog No.	Description
1	38960	1/4" Die Head
	38965	5/16" Die Head
	38970	3/8" Die Head
	38975	7/16" Die Head
	38980	1/2" Die Head
	38985	9/16" Die Head
	38990	5/8" Die Head
	38995	3/4" Die Head
	39000	7/8" Die Head
	39005	1" Die Head
2	39020	Screw (3)
3	38725	Spring Ring

3-Way Pipe and Conduit Threaders

No. 30-A Capacity: 3/8" through 3/4"

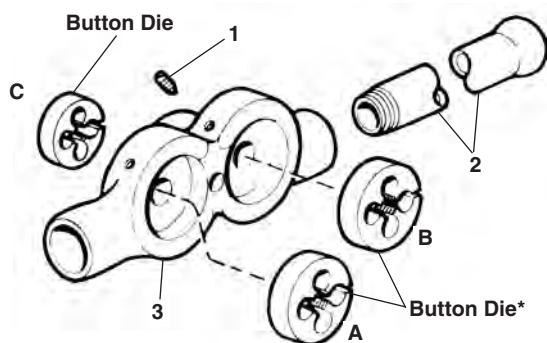
No. 31-A Capacity: 1/2" through 1"



Ref. No.	Description	No. 30-A	No. 31-A
		Catalog No.	Catalog No.
1	Body	39230	39235
2	1" Cover Plate	—	39710
3	3/4" Cover Plate	39715	39715
4	1/2" Cover Plate	39720	39720
5	3/8" Cover Plate	38745	—
6	Handle (2)	38590	38590
7	Cover Plate Screw (4)	38750	38750

Note: Refer to Tool Price List when ordering Dies

3-Way Bolt Threaders



Ref. No.	Description	31-B	33-B	35-B	37-B
		1/4"-1/2"	3/8"-5/8"	1/2"-5/8"	3/4"-1"
Catalog No.		Catalog No.	Catalog No.	Catalog No.	Catalog No.
1	Screw (9)	39015	39015	39015	39015
2	Handle (2)	39045	39045	39045	39535
3	Body	39025	39030	39035	39040

* Refer to Die Table.

Refer to A, B & C For Button Die Combinations												
Model No.	31-B			33-B			35-B			37-B		
O.D. of Button Die	1"	1"	1 1/2"	1"	1 1/2"	1 1/2"	1 1/2"	1 1/2"	1 1/2"	2"	2"	2 1/4"
Button Die Location	A	B	C	A	B	C	A	B	C	A	B	C
Rod Diameter	1/4"	3/8"	1/2"	3/8"	1/2"	5/8"	1/2"	9/16"	5/8"	3/4"	7/8"	1"
		5/16"	9/16"	1/4"		9/16"						
		7/16"	5/8"	5/16"								
				7/16"								

NOTE: 1. 00-RB Dies are interchangeable w/above Button Dies.
2. To use 7/16" Button Die in 31-B or 33-B enlarge Pilot Hole to 15/32".
3. To use 9/16" or 5/8" Button Dies in 31-B enlarge Pilot Hole to 19/32" or 21/32".